

CWI LIGHTING

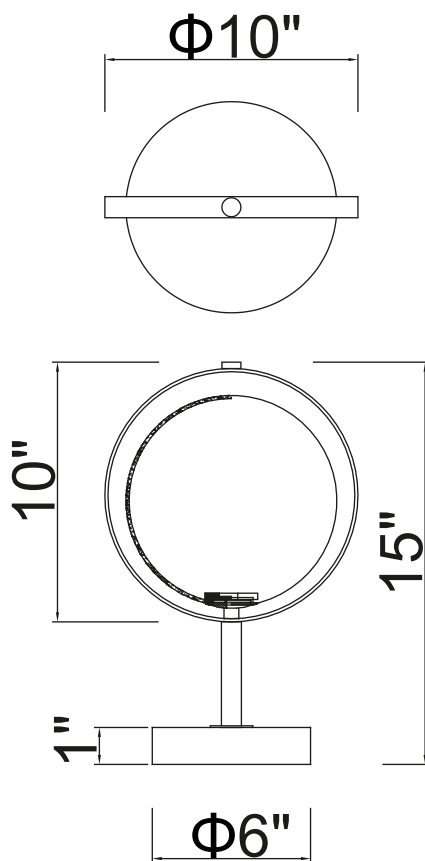
BRIGHTER LIVING. SIMPLIFIED.

PROJECT: _____

FIXTURE TYPE: _____

LOCATION: _____

CONTACT/PHONE: _____



Item	1153T10-1-169
Collection	DA VINCI
Finish	Medallion Gold
Glass	Frosted
Crystal	-----
Input	120V AC,60HZ,AC

Shade	-----
Length/Dia.	10"
Width/Ext.	-----
Height	10"
Maximum	15"
Lumens	-----

Light Source	G9
Bulb Info.	1×40W
Included	-----
Dimmable	No
Color	-----
Weight	

CWILIGHTING
www.cwilighting.com
Info@cwilighting.com

140 Steelcase Rd.W.
 Markham ON. L3R 3J9 Canada
 Tel: 905 940 4999
 Toll: 1-877-564-6034
 Fax: 905-940-0126
 Toll Fax: 1-866-840-2796

Dallas showroom
 Dallas Market Center
 Showroom #: 3327
 2100N. Stemmons Frwy.
 Dallas, TX 75207

